

LVCSi Continuous Vertical Level Sensor with Integrated Display

The LVCSi is an analogue vertical level sensor with an integrated display meter and output driver specifically designed for continuous, in-situ monitoring of your tank. It is an extension of Deeter Electronics' range of LVCS analogue level sensors and includes a temperature sensing option.



LVCSi features include:

- A display for direct read-out of level and temperature
- Two pairs of analogue outputs (4-20mA and 0-10V)
- Two digital outputs (set point)
- An RS485 communications port
- IP rating of IP68
- Stem lengths up to 2000mm
- Temperature sensing option available
- Modbus optional

Our sensor can be used in a vast variety of applications and is ideally suited for use in:

- Petrochemical environments
- Solvent and chemical control
- Liquid inventory, waste and media management
- In-situ monitoring

Common industries for this product include:

- Food and beverage industries
- Oil and gas industries
- Automotive industries
- Waste Management

LVCSi Continuous Vertical Level Sensor with Integrated Display

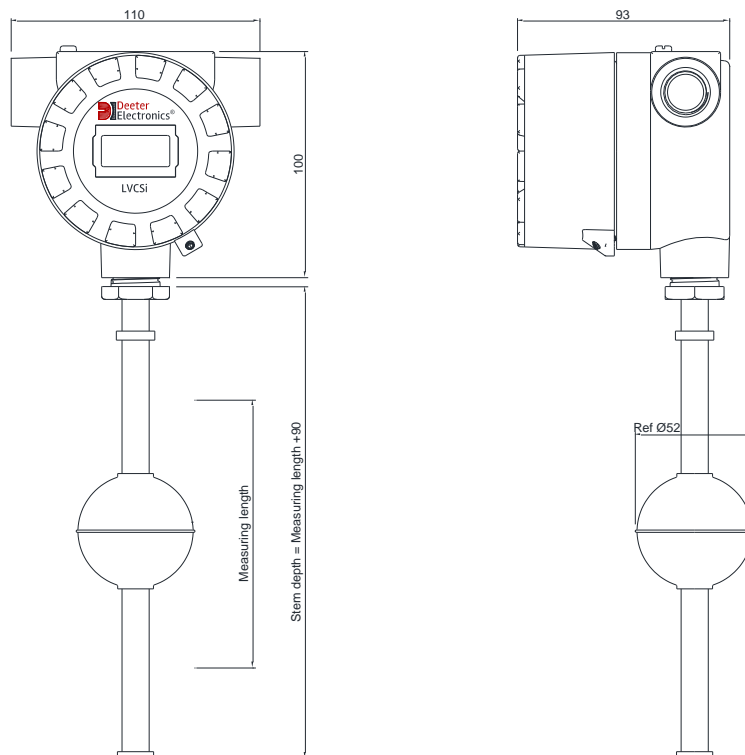
The LVCS range of analogue level sensors feature a magnetic float moving along a stem to provide a continuous analogue output that indicates liquid level. Sensors in the stem detect small step-changes in level and the output gives a continuous analogue signal.

The following range of user-selectable analogue outputs are supplied as standard: 0-2V, 0-5V, 0-10V and the industrial standard 4-20mA current loop. Level outputs can be inverted, ideal for level sensors mounted from the bottom of a tank.

The standard LVCSi is designed to fit a 21mm hole in the top of a tank, secured by its aluminium head, and has a ½ inch BSP thread. Sensing resolution is 5mm with measuring lengths of 250mm, 500mm, 750mm and 1000mm or 1250mm, 1500mm, 1750mm and 2000mm with Hall-effect sensing technology. It is housed in an aluminium instrument enclosure that screws to the top of a sensor stem and has a tempered glass viewing window.

All fittings inside the tank are made from 316L Stainless Steel and are welded to make a tough and durable sensor. The LVCSi is therefore ideally suited for use in food and petrochemical applications, and for use in harsh environments. It also has an IP rating of IP68.

The optional Modbus protocols allow for full remote monitoring and setup. The LVCSi conforms to the Modbus RTU and Modbus ASCII command and response framing standards as a slave device – please see the manual for details.



Type	Specification
------	---------------

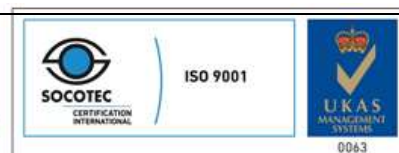


Poppenbouwing 54, 4191 NZ Geldermalsen,
T: 0345 596 000, info@adinco.nl, www.adinco.nl



Deeter Electronics Ltd.
Deeter House, Valley Road
Hughenden Valley
Bucks, HP14 4LW

Tel: +44 (0) 1494 566 046
Fax: +44 (0) 1494 563 961
Email: sales@deeter.co.uk
www.deeterelectronics.com

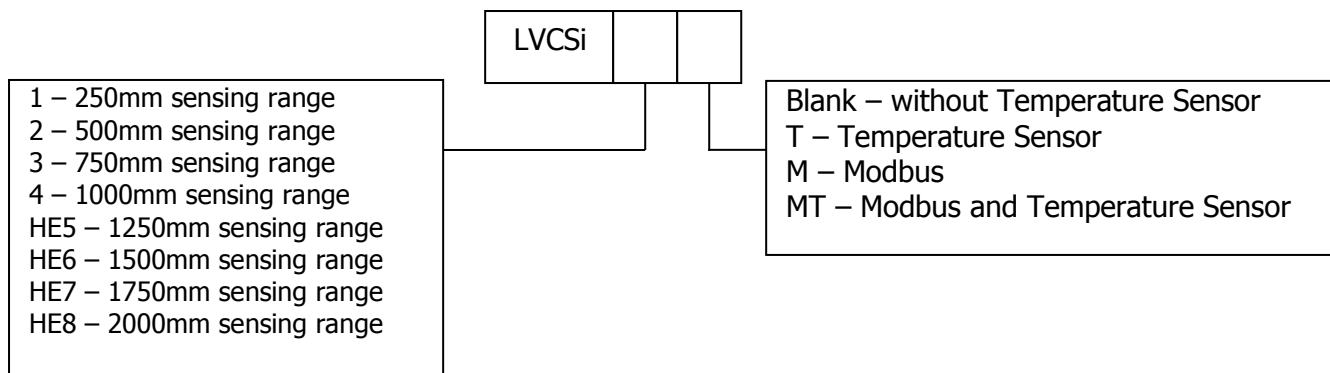


LVCSi Continuous Vertical Level Sensor with Integrated Display

Head dimensions	110mm x 100mm x 81mm (Excluding sensor stem and cable glands/port fixings)
Stem length	Standard sizes are from 250mm to 2000mm in 250mm increments. Custom sizes available on request.
Level sensing resolution	5mm (reed) or 15mm (Hall-effect)
Temperature sensing range	-40°C to +120°C (-40°F to +248°F) (Note stem operating temperature ranges shown below)
Temperature sensing resolution	0.1°C
Max. temperature error	< ±1.0°C over the full sensing range (subject to correct calibration)
Current-loop output range	4-20mA (with 0mA fault indication)
Voltage output ranges	0-10V, 0-5V, 0-2V
Max. analogue output error	-0.3% to +1.0% full-scale (subject to correct calibration)
Transistor output	NPN open-collector Maximum pull-up voltage of 36Vdc. Current-limited to 50mA
Head operating temperature	0°C to 70°C (32°F to 158°F)
Stem operating temperature Reed LVCSi Hall-effect LVCSi	-20°C to +120°C (-4°F to +248°F) -20°C to +80°C (-4°F to +176°F)
Power supply	15 – 30Vdc at 100mA
Fuse	500mA anti-surge Omni-Blok® cartridge
Mounting Options	½" BSP Custom options available
Float Specific Gravity	0.65
Operating Pressure	Stem and float up to 60 Bar

LVCSi Continuous Vertical Level Sensor with Integrated Display

Ordering Information



Example: LVCSi3T is a 750mm LVCSi liquid level sensor with a temperature sensing option.

All electrical equipment should be installed by a qualified/certified electrician.

Deeter Electronics follows a policy of continual development of its products and reserves the right to change specifications and/or features without notice.