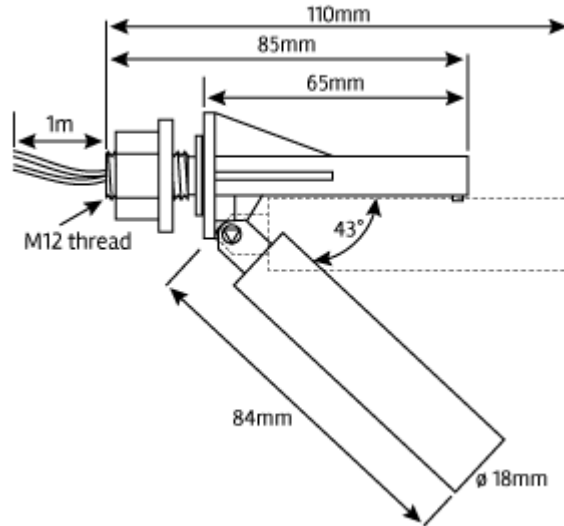


30+40 Series Horizontal Liquid Level Sensor

30 Series



- High Power Switching.
- Self cleaning hinge mechanism.
- Suitable for harsh environments.
- Good chemical resistance.
- Wide operating temperature range.
- Change switch operation from normally open (N/O) to normally close (N/C) by rotating the switch so the float is above the centre line.
- The weight of the sensor is approximately 48g.
- A 1 meter PVC cable is provided as standard, for custom cable lengths, contact sales office.

Fixing

	Hole Size	Max. Torque	Max. Wall Thickness
M12	12.5mm	2.5Nm	10mm

*For larger wall thickness contact the sales office for advice

Technical Data

	Nylon	Polypropylene
Suitable specific gravity	0.7	0.7
Maximum Pressure	4 bar	4 bar
Operating Temperature	-20°C to +80°C	-20°C to + 80°C

*For Chemical resistance data contact the sales office. Higher switch ratings are available.

30+40 Series Horizontal Liquid Level Sensor

Ordering Code

DE3		-	90A
-----	--	---	-----

Material
3 - Nylon
4 - Polypropylene

Example: DE33-90A = 30 Series, Material Nylon, Form A SPST, 90 Watt float switch.

Switch Contact Ratings

90A – 240V AC/DC, 3A, 90W

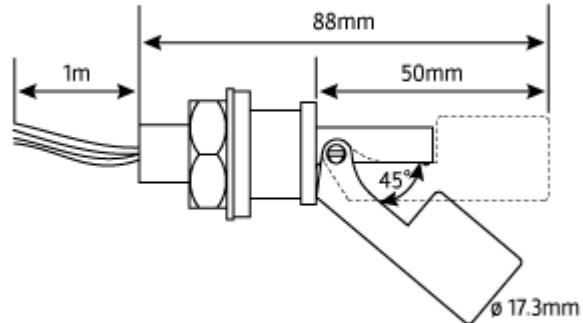
For AC circuits ensure the peak voltage x current does not exceed the power rating.

All electrical equipment should be installed by a qualified/certified electrician.

The Deeter Group follows a policy of continual development of its products and reserves the right to change specifications and/or features without notice.

30+40 Series Horizontal Liquid Level Sensor

40 Series



- Horizontally mounted miniature liquid level sensors designed for internal or external tank mounting.
- The design provides for a cost effective solution where high reliability in a demanding environment is called for.
- Available in PVC, Polypropylene, PPS and Nylon materials to permit use in most chemical and temperature environments.
- By rotating the body through 180° it is possible to sense for high or low conditions.
- This design is ideal for food, automotive, petroleum, chemical and laboratory applications.
- Available with form A (SPST) or form C (SPDT) contacts.
- The weight of the sensor is approximately 35g.
- A 1 meter PVC cable is provided as standard, for custom cable lengths, contact sales office.

Technical Data

	PVC	Nylon	Polypropylene	PPS
Minimum liquid Specific Gravity	0.8	0.7	0.7	0.9
Maximum Pressure	2 bar	2 bar	2 bar	2 bar
Operating Temperature	-20°C to +65°C	-20°C to +80°C	-20°C to + 80°C	-20°C to +125°C

Switch Contact Ratings

Form A switches are rated at 240v AC/DC, 1.0 Amp resistive load only.

Form C switches are rated at 60v DC, 0.25 Amp resistive load only.

For other loads i.e. capacitive, inductive or incandescent lamps please contact Deeter for advice.

For AC circuits ensure the peak voltage x current does not exceed the power rating.

All PPS switches have 7/0.2 PTFE insulated wires.

PVC, Nylon and PP form A switches have 16/0.2 PVC insulated wires.

PVC, Nylon and PP form C switches have 7/0.2 PVC insulated wires.

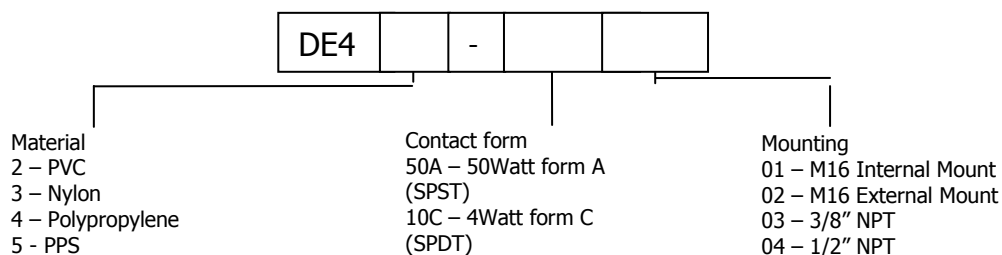
30+40 Series Horizontal Liquid Level Sensor

Fixing

	Hole Size	Torque	Wall Thickness
M16 external mount	23mm	2.7Nm	6mm max
M16 internal mount	16.5mm	6.8Nm	10mm max
Internal 3/8" NPT	To suit	6.8Nm	16mm max
External 1/2" NPT	To suit	6.8Nm	12mm max

Caution: NPT threads are specified in their reference size.
This size does not refer to the physical thread diameter.

Ordering Code



Example:

DE43-50A01 = 40 Series, Material Nylon, M16 internally mounting thread, 50 Watt Form A SPST float switch.

All electrical equipment should be installed by a qualified/certified electrician.

The Deeter Group follows a policy of continual development of its products and reserves the right to change specifications and/or features without notice.