

**VeriSense™**  
**5024 EGR Series**  
**Temperature Sensors**

**AIRPAX**



**Description :**

The VeriSense™ 5024 EGR temperature sensors provide up to 300 C temperature sensing capability in patent-pending, fast response stainless steel packages. Developed for the exhaust gas recirculation market, the new VeriSense™ 5024 EGR temperature sensors provide accurate high temperature output in the fastest responding immersion package on the market today.

Please contact Airpax for assistance in applying the VeriSense™ 5024 EGR temperature sensors to meet your high temperature sensing needs.

**Specifications :**

**Max Operating Temperature :**

-55°C to 300°C

**Temperature Tolerance :**

150°C max version: 25°C ± 0.4°C, 150°C ± 0.6°C

300C max version: 25°C ± 0.8°C, 300°C ± 3.7°C

**Body Material :**

304 Stainless Steel

**Sensor Type :**

150°C max version: 3,000 ohm @ 25C, NTC

300C max version: 49,120 ohm @ 25C, NTC

**Mating Connector :**

150°C max version: Packard Electric 12162193

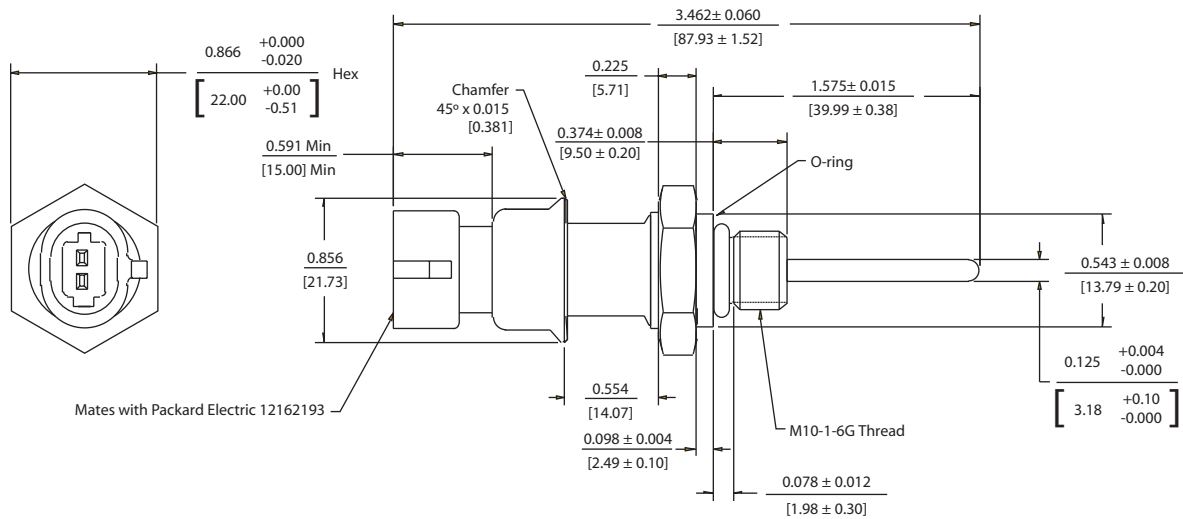
300°C max version: Packard Electric 12162197

Airpax Corporation  
550 Highland Street  
Frederick, MD 21701 USA  
301.663.5141 (T)  
301.698.0624 (F)  
infotsp@airpax.net

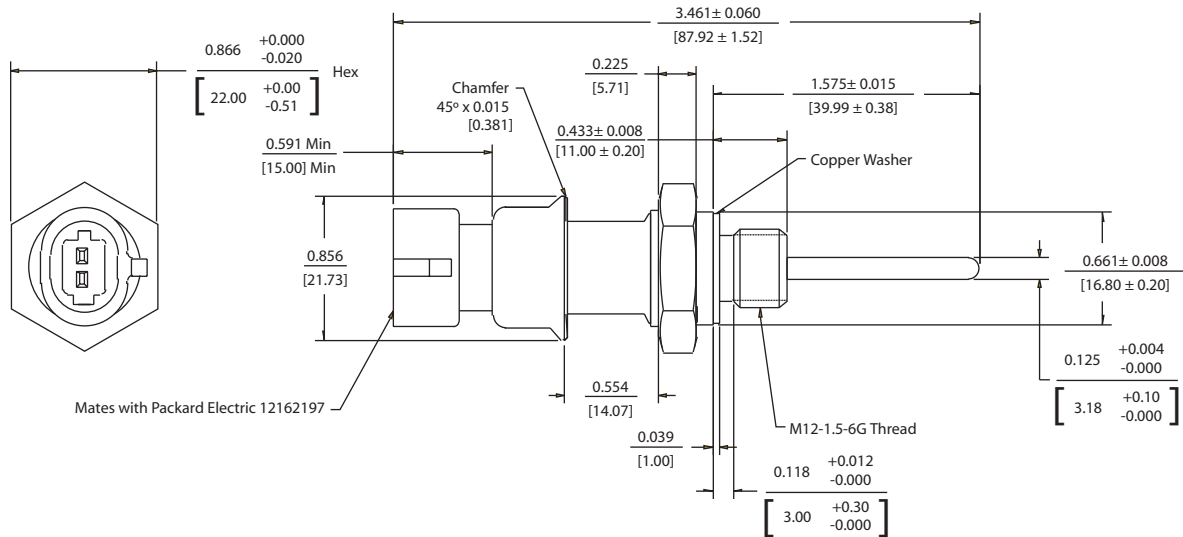
**AIRPAX**  
[www.airpax.net](http://www.airpax.net)

# 5024 EGR SERIES

## VeriSense™ 5024 EGR: 150°C Max Version:



## VeriSense™ 5024 EGR: 300°C Max Version:



The products shown are a representative example of our offerings. Consult factory for specific applications.

### Options Available:

- Lead wire versus integral connector (for higher vibration applications)
- Thread type
- Maximum operating temperature