

96000 Series Digital Linear Actuator (Automotive)

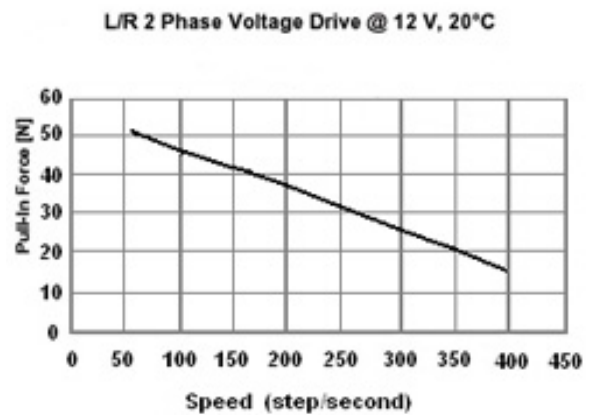
Features/options:

- High Shock and Vibrating resistance
- Bi polar
- 2 Phase
- Custom made Pintle
- Different Mounting angle

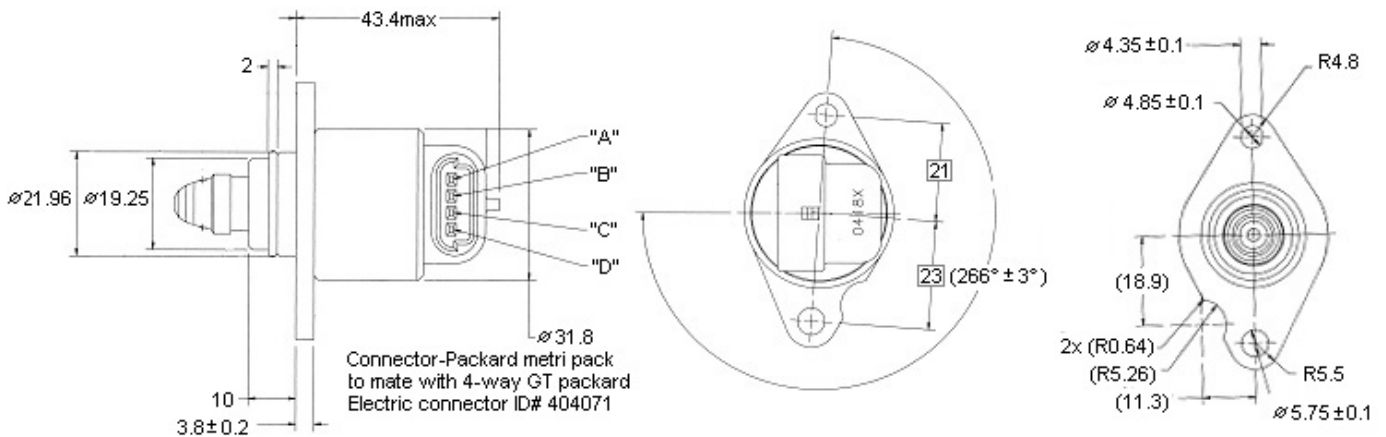


Motor data	Performance curve
------------	-------------------

Motor type number	96000	Series
Nominal voltage (DC)	7.5-12	V
Resistance per Winding	48 ±10%	Ohm
Inductance per Winding	38 ±20%	mH
Dielectric (Terminals to ground)	300	Vac RMS
Nominal Force (see perf. curve)	30 (@ 250 pps)	N
Nominal Rate (see perf. curve)	250	Pulse/sec
Step Size	0.042 or 0.025	mm
Total travel (typical)	9.0	mm
Operating temp	-40 to +125	°C
Storage temp	-40 to +150	°C
Weight	90	g



Dimensional Drawing



	STEP	Q1-Q4	Q2-Q3	Q5-Q8	Q6-Q7	STEP	
EXTENSION ↓	1	ON	OFF	ON	OFF	1	RETRACT ION ↑
	2	ON	OFF	OFF	ON	2	
	3	OFF	ON	OFF	ON	3	
	4	OFF	ON	ON	OFF	4	
	1	ON	OFF	ON	OFF	1	

MOTOR ACTUATION TABLE
NORMAL 4 STEP SEQUENCE

