

# SY32 Synchronous motor

4/ 7 mNm



## Product combinations:

- Gearbox S49A
- Gearbox S52A
- Gearbox S70A

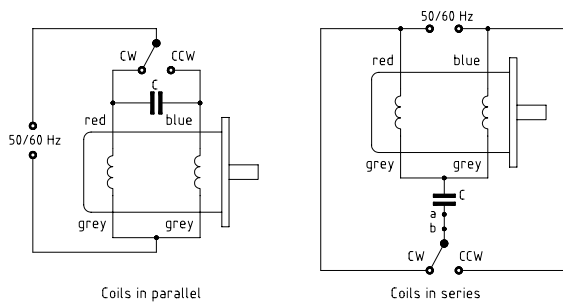


## Motor data

Motor order number	9904 111 32511	9904 111 32411	9904 111 32311	9904 111 32511	9904 111 32411	9904 111 32311		
	Coils in parallel			Coils in series				
Nominal voltage	24	48	110 / 117	24	48	220	V	
Frequency	50/60	50/60	50/60	50/60	50/60	50/60	Hz	
Speed	250/300	250/300	250/300	250/300	250/300	250/300	rpm	
Current	35	18	8	35	18	8	mA	
Input power	0.8	0.8	0.8	1.7	1.7	1.7	W	
Working torque	4	4	4	7	7	7	mNm	
Torque derating	-0.4	-0.4	-0.4	-0.4	-0.4	-0.4	%/K	
Temperature rise of the motor	30	30	30	30	30	30	°C	
Required phasing capacitor C (MKT-type)	Capacity		2.2	0.56		0.1		
	Permissible a.c. voltage		≥63	≥100		≥250		
Permissible voltage fluctuations							-15 to +10	%
Type of bearings							Sleeve	
Maximum radial load							2.5	N
Maximum axial load							0.75	N
Ambient temperature range operating							-20/+60	°C
Ambient temperature range storage							-40/+100	°C
Mass of motor							80	g

\* For 60 Hz operation, resistor 680Ω (0.5W) required between points a en b (see electrical connection)

## Electrical connection



## Performance curve

