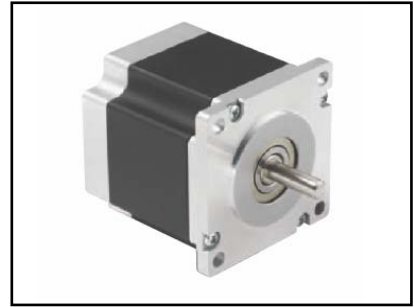


# H3-23H Hybrid stepping motor (bipolar)

## Features:

- Step Angle 1,8°
- Ambient Temperature Range -20°C ~ +40°C
- Improved performance by using latest technology



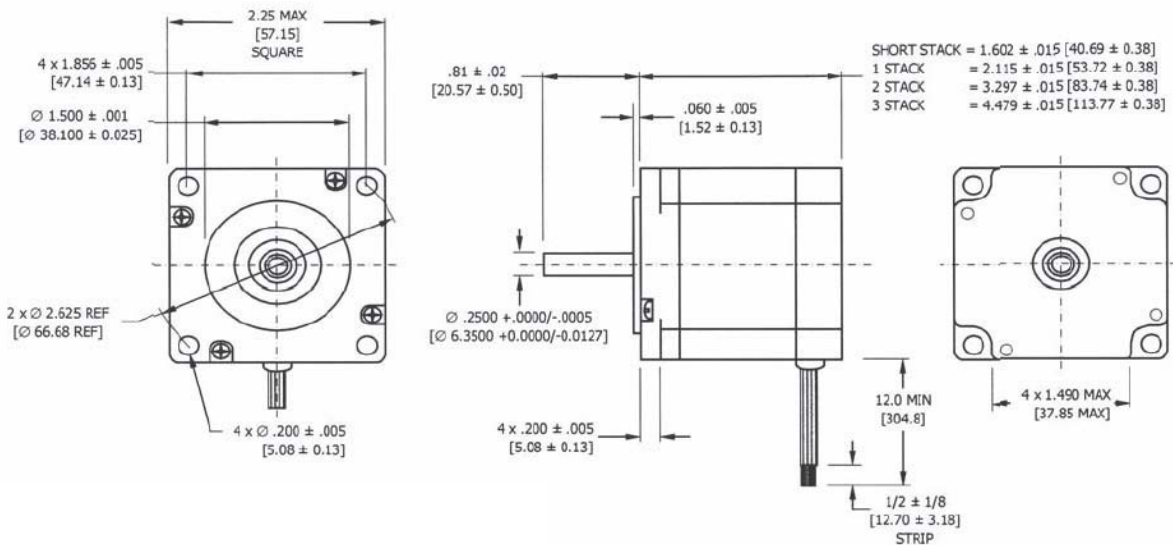
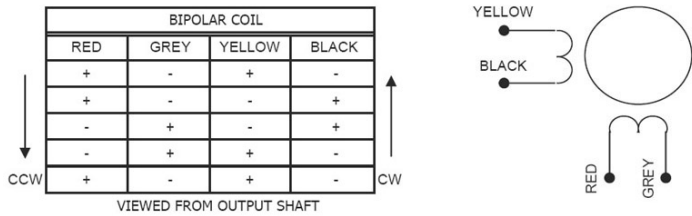
## Motor data

Motor order number	Type	Lead wire Number	Rated Current (Amp)	Resistance (Ohm/Phase)	Inductance (mH/Phase)	Holding torque (mNm)	Detent torque (mNm)	Rotor inertia (Kg-cm <sup>2</sup> )	Length (L=mm)	Weight (g)
1753-H018D10B	23H018D10B	4	1.0	5.70	24.80	800	70	0.19	41	450
1753-H118D10B	23H118D10B	4	1.0	6.84	31.70	1300	90	0.24	54	650
1753-H218D10B	23H218D10B	4	1.0	8.50	53.80	2420	280	0.48	84	1120
1753-H318D10B	23H318D10B	4	1.0	10.75	71.48	3480	280	0.72	114	1580
1753-H018D20B	23H018D20B	4	2.0	1.43	6.75	810	70	0.19	41	450
1753-H118D20B	23H118D20B	4	2.0	1.71	8.50	1300	90	0.24	54	650
1753-H218D20B	23H218D20B	4	2.0	2.13	14.10	2440	280	0.48	84	1120
1753-H318D20B	23H318D20B	4	2.0	2.69	16.92	3540	280	0.72	114	1580
1753-H018D30B	23H018D30B	4	3.0	0.63	2.64	810	70	0.19	41	450
1753-H118D30B	23H118D30B	4	3.0	0.76	3.80	1320	90	0.24	54	650
1753-H218D30B	23H218D30B	4	3.0	0.94	6.30	2490	280	0.48	84	1120
1753-H318D30B	23H318D30B	4	3.0	1.19	7.97	3540	280	0.72	114	1580

## General data

Step angle	1.8°
Positional accuracy	± 5%
Insulation resistance	100M/Ohm min. 500Vdc
Dielectric strength	500V AC - 1 minute
Lead wire type	AWG 22
Temperature class	B (130° C max)
Operating ambient temperature	-20°C ~ +40°C
Storage temperature	-40°C ~ +85°C

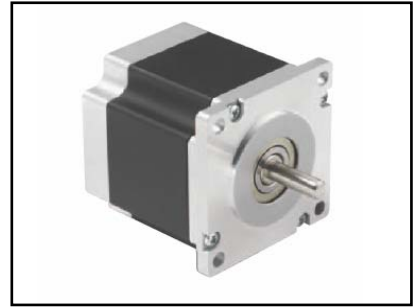
## Connection diagram



# H3-23H Hybrid stepping motor (unipolar)

## Features:

- Step Angle 1,8°
- Ambient Temperature Range -20°C ~ +40°C
- Improved performance by using latest technology



## Motor data

Motor order number	Type	Lead wire Number	Rated Current (Amp)	Resistance (Ohm/Phase)	Inductance (mH/Phase)	Holding torque (mNm)	Detent torque (mNm)	Rotor inertia (Kg-cm <sup>2</sup> )	Length (L=mm)	Weight (g)
1753-H018D10U	23H018D10U	6	1.0	5.70	7.26	560	70	0.19	41	450
1753-H118D10U	23H118D10U	6	1.0	6.84	13.10	900	90	0.24	54	650
1753-H218D10U	23H218D10U	6	1.0	8.50	16.33	1690	280	0.48	84	1120
1753-H318D10U	23H318D10U	6	1.0	10.75	20.86	2440	280	0.72	114	1580
1753-H018D20U	23H018D20U	6	2.0	1.43	1.66	570	70	0.19	41	450
1753-H118D20U	23H118D20U	6	2.0	1.71	2.97	930	90	0.24	54	650
1753-H218D20U	23H218D20U	6	2.0	2.13	4.25	1720	280	0.48	84	1120
1753-H318D20U	23H318D20U	6	2.0	2.69	5.45	2470	280	0.72	114	1580
1753-H018D30U	23H018D30U	6	3.0	0.63	0.76	570	70	0.19	41	450
1753-H118D30U	23H118D30U	6	3.0	0.76	1.46	930	90	0.24	54	650
1753-H218D30U	23H218D30U	6	3.0	0.94	1.97	1730	280	0.48	84	1120
1753-H318D30U	23H318D30U	6	3.0	1.19	2.64	2500	280	0.72	114	1580

## General data      Connection diagram

Step angle	1.8°
Positional accuracy	± 5%
Insulation resistance	100M/Ohm min. 500Vdc
Dielectric strength	500V AC - 1 minute
Lead wire type	AWG 22
Temperature class	B (130° C max)
Operating ambient temperature	-20°C ~ +40°C
Storage temperature	-40°C ~ +85°C

