

57DBM-L Series Linear Actuators

Features:

- 12 Watt power consumption
- Radial Ball bearings
- Linear force up to 125 N
- Operating temperature -20° to +70°C
- Max pull in rate 275 step/sec*

Options:

- Custom operating force
- Custom travel
- Other supply voltages



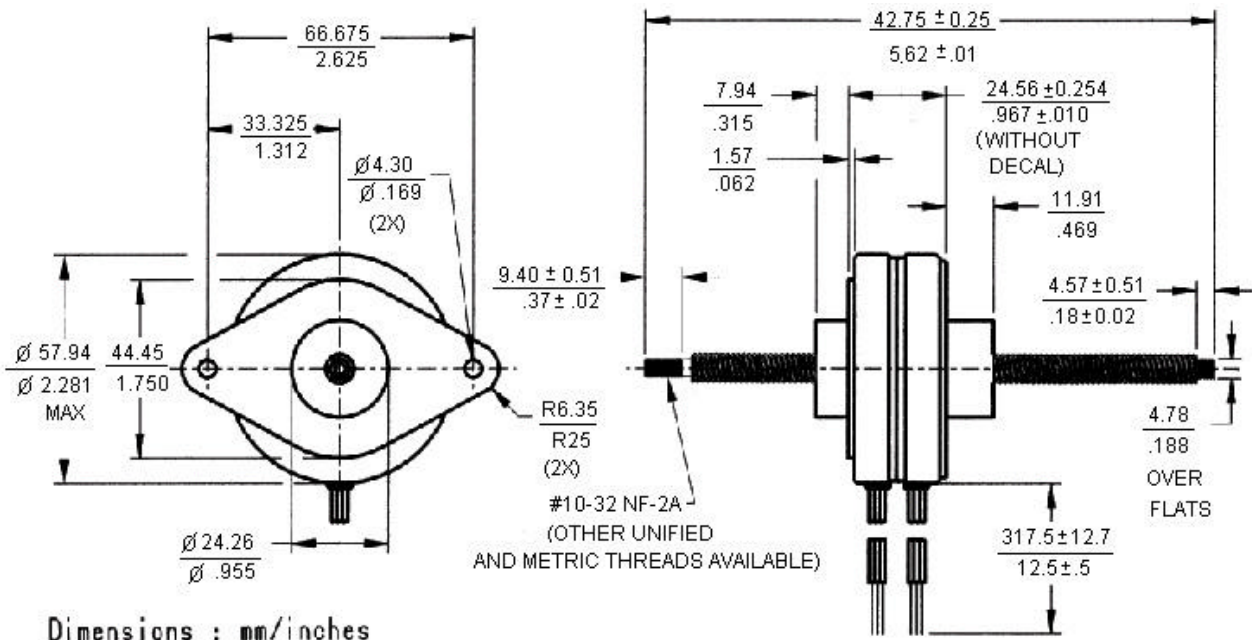
* measured with 2 phases energized (see sheet E08b)

Motor data

Motor order number	Operating voltage	Maximum travel	Linear travel per step	Maximum force	Unenergized force*	Coil resistance	Coil inductance	Drive electronics
1725-DBM10B1UL	5 V	76.2 mm	.001" (0.025 mm)	88.0 N	88.0 N	4.3 Ohm	5 mH	Unipolar
1725-DBM10B2UL	12 V	76.2 mm	.001" (0.025 mm)	88.0 N	88.0 N	25 Ohm	25 mH	Unipolar
1725-DBM20B1UL	5 V	76.2 mm	.002" (0.050 mm)	71.0 N	71.0 N	4.3 Ohm	5 mH	Unipolar
1725-DBM20B2UL	12 V	76.2 mm	.002" (0.050 mm)	71.0 N	71.0 N	25 Ohm	25 mH	Unipolar
1725-DBM10B1BL	5 V	76.2 mm	.001" (0.025 mm)	125 N	88.0 N	4.3 Ohm	6.3 mH	Bipolar
1725-DBM10B2BL	12 V	76.2 mm	.001" (0.025 mm)	125 N	88.0 N	25 Ohm	36 mH	Bipolar
1725-DBM20B1BL	5 V	76.2 mm	.002" (0.050 mm)	103 N	71.0 N	4.3 Ohm	6.3 mH	Bipolar
1725-DBM20B2BL	12 V	76.2 mm	.002" (0.050 mm)	103 N	71.0 N	25 Ohm	36 mH	Bipolar

*see sheet E08b

Dimensional drawing

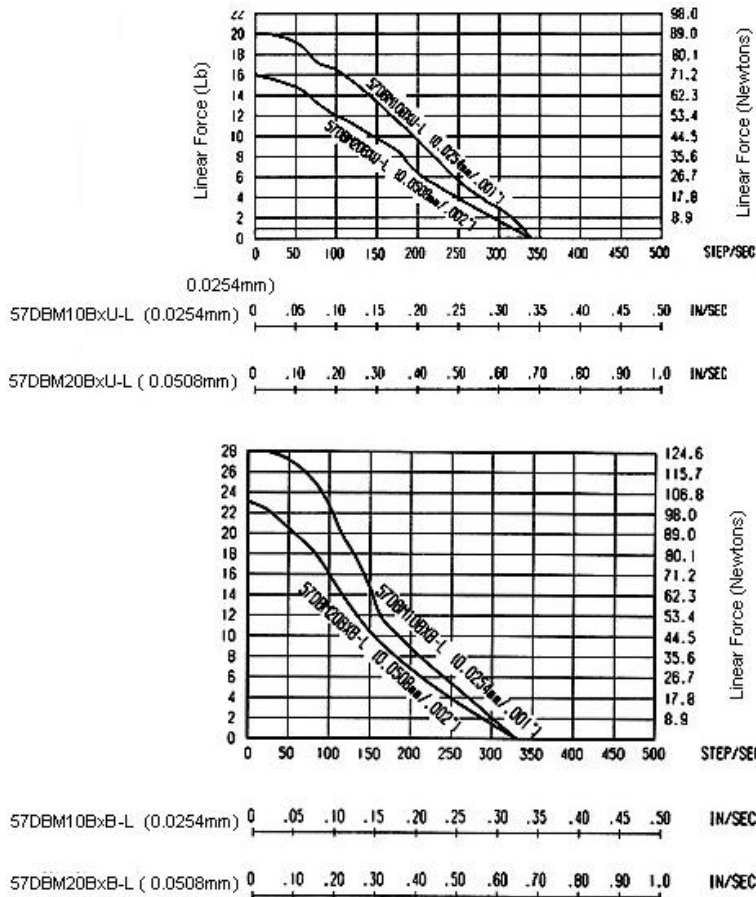


- NOTES: 1. Shaft axial backlash: 0.10/.004 MAX
 2. Unspecified tolerances: ± 0.13/ ± .005

57DBM-L Series Linear Actuators

Performance curve

Typical Linear Pull-in Force vs Linear Rate at 20°C



Electrical connection

