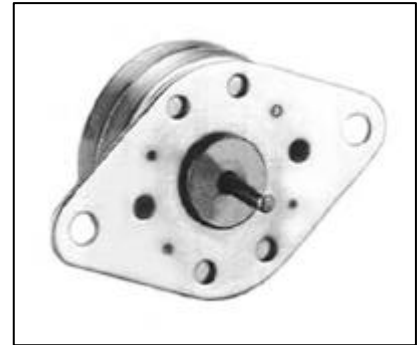


26M024B Stepper motor

Features:

- 15° step angle (or 24 steps/rev)
- Permanently lubricated sintered bearings
- Compact size

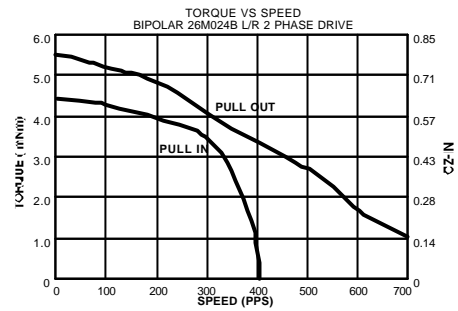
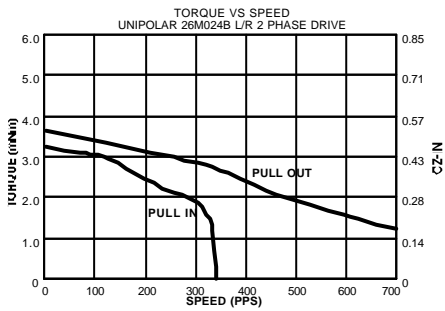


Motor data

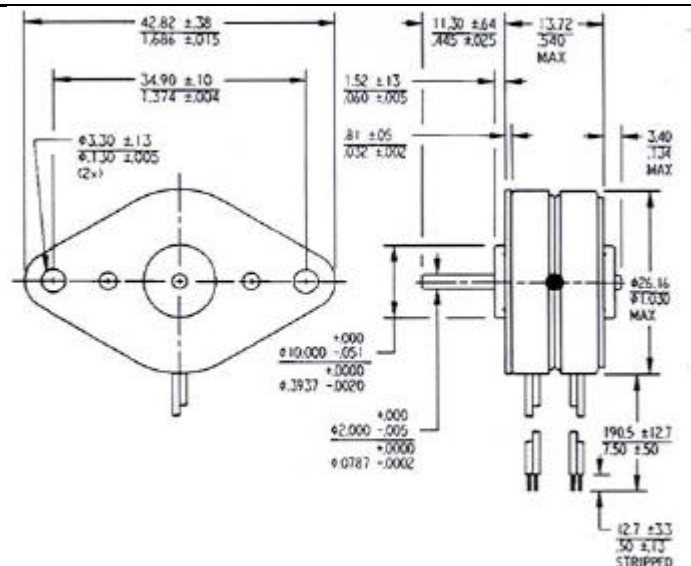
Motor order number	Unipolar		Bipolar	
	1736-26M024B1U	1736-26M024B2U	1736-26M024B1B	1736-26M024B2B
DC operating voltage	5V	12V	5V	12V
Resistance per winding Ω	20.4	118	19.6	113
Inductance per winding mH	6.4	33.8	13.8	72.9
Holding torque mNm *	4.9		7.1	
Detent torque mNm	1.06			
Rotor moment of inertia $g \times m^2$	1.1×10^{-4}			
Step angle	$15^\circ \pm 1.0^\circ$			
Steps Per Revolution	24			
Insulation Resistance At 500Vdc	100 M Ω			
Leadwire Type	AWG #28			
Bearing Type	Bronze sleeve			
Operating Temperature	100°C, MAX			
Ambient Temperature Range	Operation: -20°C TO 70°C, Storage: -40°C TO 85°C			
Dielectric Strength	650 ± 50 Vrms, 60 Hz, For 1 to 2 Seconds			

* Measured with 2 phases energised

Performance curve



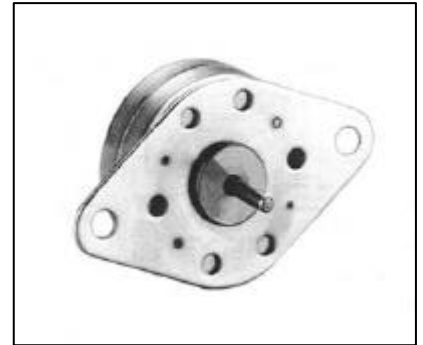
Dimensional Drawing



26M048B Stepper motor

Features:

- 7,5° step angle (or 48 steps/rev)
- Permanently lubricated sintered bearings
- Compact size

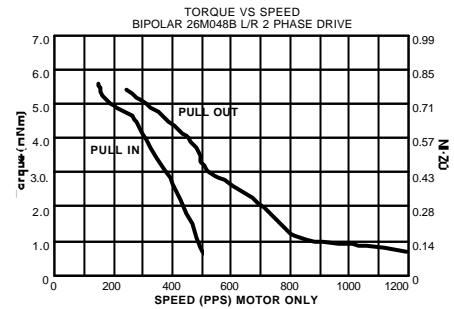
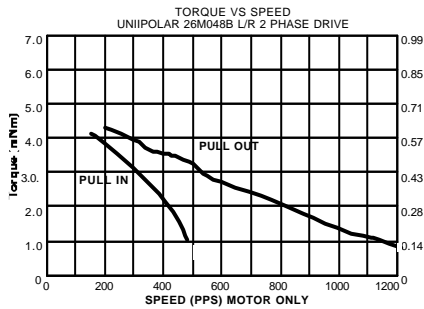


Motor data

Motor order number	Unipolar		Bipolar	
	1736-26M048B1U	1736-26M048B2U	1736-26M048B1B	1736-26M048B2B
DC operating voltage	5V	12V	5V	12V
Resistance per winding Ω	19.6	110	19.8	108
Inductance per winding mH	5.3	36.5	13.0	60.7
Holding torque mNm *	9.2		10.6	
Detent torque mNm	0.85			
Rotor moment of inertia $g \times m^2$	1.1×10^{-4}			
Step angle	$7,5^\circ \pm 0.5^\circ$			
Steps Per Revolution	48			
Insulation Resistance At 500Vdc	100 M Ω			
Leadwire Type	AWG #28			
Bearing Type	Bronze sleeve			
Operating Temperature	100°C, MAX			
Ambient Temperature Range	Operation: -20°C TO 70°C, Storage: -40°C TO 85°C			
Dielectric Strength	650 \pm 50 Vrms, 60 Hz, For 1 to 2 Seconds			

* Measured with 2 phases energised

Performance curve



Dimensional Drawing

